

# LEDR-1 LED Emergency Unit

<b>Project:</b>	
<b>Type:</b>	
<b>Catalog #:</b>	



## STANDARD



## OPTIONAL



## ILLUMINATION

- Long lasting, efficient ultra-bright white LED lamp heads.
- 1 watt (8 LEDs x 0.125 watt) per head.
- High-performance chrome-plated metalized reflector and plastic lens for optimal light distribution.
- Adjustable LED lamp heads provide optimal center-to-center spacing. High-lumen option available for increased center-to-center spacing.

## ELECTRICAL

- Dual 120/277 voltage.
- Charge rate/power "ON" LED indicator light and push to test switch for mandated code compliance testing.
- 6.3V long-life, maintenance-free, rechargeable NiCd battery.
- Internal solid-state transfer switch automatically connects the internal battery to LED lamp heads for minimum 90-minute emergency illumination.
- Fully automatic solid-state, two-rate charger initiates battery charging to recharge a discharged battery in 24 hours.

## MOUNTING

- Surface mount via quick-connect back plate; fits most standard size junction boxes and snaps into place to make internal electrical connections.
- Top and side knockout for conduit applications.
- Suitable for wall or ceiling mount.

## HOUSING

- Injection-molded, engineering-grade, 5VA flame retardant, high-impact resistant, thermoplastic in white or black finish.

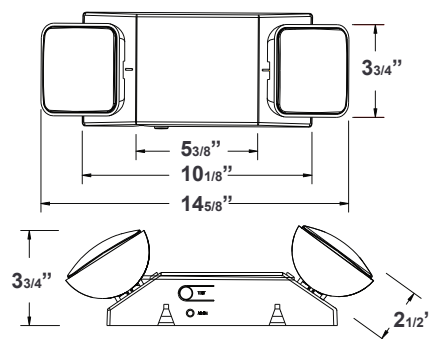
## OPTIONS

- SDT: Self-diagnostic test feature performs monthly, biannually, and annually tests to ensure reliable operation and to meet electrical and life safety codes.
- HL: 12-LED heads (12 LEDs x 0.125 watt) per head provide increased center-to-center spacing.

## WARRANTY/LISTING

- Five year warranty on all electronics and housing. Batteries pro-rated for five years.
- UL listed for damp locations.
- Meets UL924, NFPA101 Life Safety Code, NEC, OSHA, Local and State Codes. (0°C – 50°C)

## DIMENSIONS



## ORDERING INFORMATION

Sample Part Number: LEDR-1

Special voltage options available. Check with your Best Lighting Representative.

Model	Housing Color	Options
LEDR-1	Blank White B Black	SDT Self-Diagnostics HL High-Lumen

# LEDR-1 LED Emergency Unit

<b>Project:</b>	
<b>Type:</b>	
<b>Catalog #:</b>	

## ELECTRICAL INFORMATION

Catalog Number	Input Watts (W)		Input Amps (A)	
	120V	277V	120V	277V
LEDR-1	1.8	1.8	0.022	0.010
LEDR-1SDT	1.6	1.6	0.020	0.010

## CENTER-TO-CENTER SPACING GUIDELINES

For reference only.



1'	0.2	0.3	0.5	0.4	0.4	0.5	0.6	0.8	1	0.8	0.9	0.8	0.4	0.2	0.2	
2'	0.3	0.5	0.7	0.8	0.9	0.8	0.9	1	1.1	1.4	1.1	0.8	0.5	0.3	0.2	
3'	0.4	0.7	1	1	1.1	1.1	1.1	1.3	1.4	1.1	0.9	0.9	0.7	0.5	0.2	
4'	0.5	0.7	0.9	1.1	1.2	1.2	1	1.1	1.1	1	1.1	0.8	0.6	0.3	0.2	
5'	0.5	0.7	0.8	0.8	1	1.1	0.8	0.8	1	0.9	0.6	0.5	0.4	0.3	0.2	
6'	0.4	0.5	0.7	0.7	0.8	0.8	0.6	0.5	0.6	0.5	0.4	0.4	0.3	0.2	0.2	
	7	6	5	4	3	2	1	0	1	2	3	4	5	6	7	8

Meets NFPA 101 Requirements for: 10' center-to-center spacing - 3' path of egress 1' from wall - 7 1/2' mounting height.